



BDE Z32 V2 Crossmember and ES Polyurethane Transmission Mount

5/7/2023

Always verify you have the most current revision by comparing the date above to the date listed next to the links on our Downloads webpage: <https://www.bde-performance.com/downloads.htm>

Parts List

Qty	
1	BDE Transmission Crossmember
1	Energy Suspension Polyurethane Transmission Mount
1	BDE Preload / Exhaust Hanger Bracket
2	7/16" x 0.875" bolts
2	7/16" flat washers
6	M10x1.25x20 flange bolts

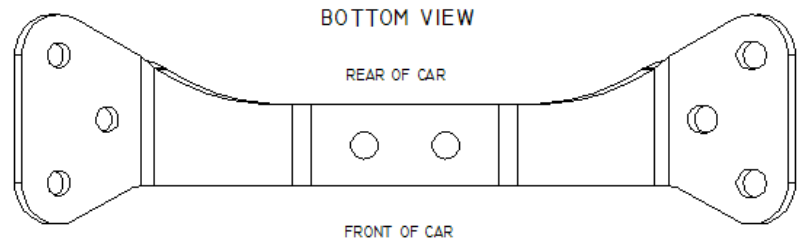
Tools Required

Torque wrench
5/8" socket
14mm socket or wrench

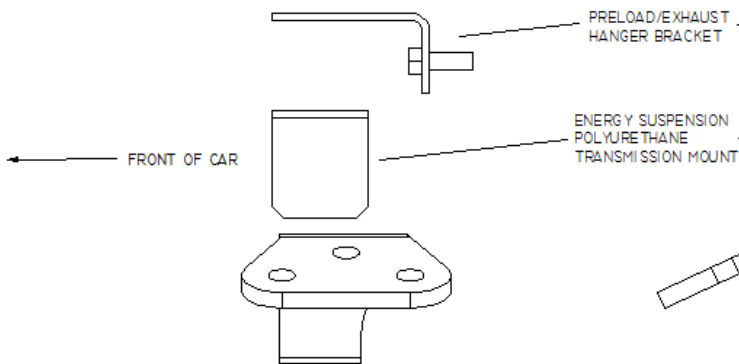
Installation

- **First and most importantly, always apply oil or grease to all bolt threads prior to installing. This helps prevent damage to threads and ensures consistent torque values.**
- The orientation of the BDE crossmember depends upon whether you have an automatic or manual transmission, see diagrams below for proper orientation.
- To help with aligning everything, use a jack to hold the transmission's weight off of the assembly and install all bolts but leave semi-loose to allow adjustment. Only begin to tighten bolts after they have all been installed and the entire assembly is in position.
- Reuse your stock transmission to mount bolts
- Discard your stock crossmember to chassis bolts and use the BDE supplied flange bolts.
- The Preload / Exhaust Hanger Bracket must be installed between the transmission and ES mount to properly preload the mount. Install the plate with the exhaust hanger bolts facing the rear of the car and hanging down from the transmission.
- Note, the ES mount has a bulge on one side but it makes no difference whether it is installed facing front or rear.
- Don't forget to attach the ground wire from the transmission to one of the chassis mount side bolts.
- Torque the two BDE supplied 7/16" mount bolts to 35 ft-lbs. Torque all other bolts to the factory service manual specifications.

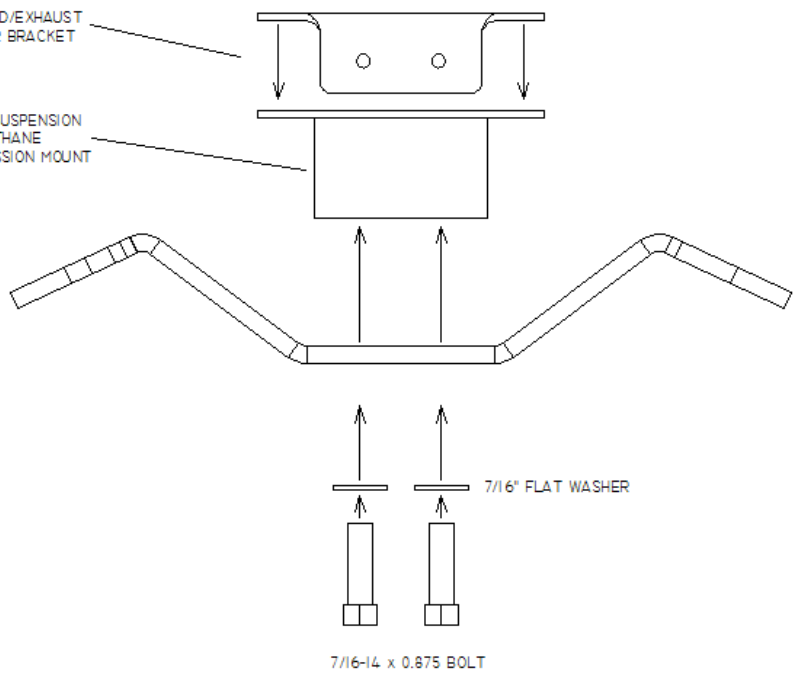
TT AND NA MANUAL TRANSMISSION ORIENTATION



USDM DRIVER SIDE VIEW ASSEMBLY

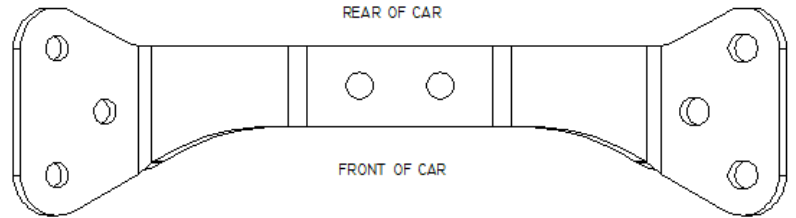


REAR VIEW ASSEMBLY

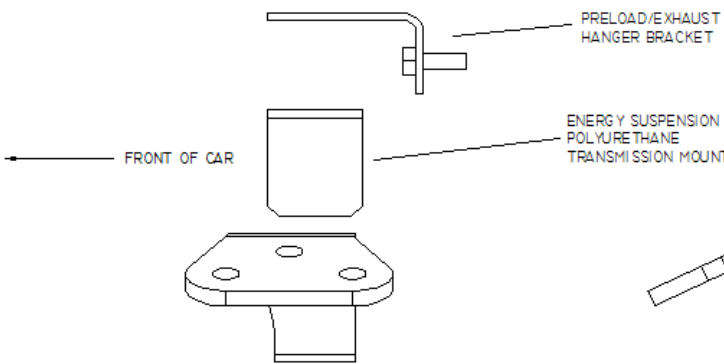


TT AND NA AUTOMATIC TRANSMISSION ORIENTATION

BOTTOM VIEW



USDM DRIVER SIDE VIEW ASSEMBLY



REAR VIEW ASSEMBLY

