

## Racing Suction Reloaded Intake Kit

70020-BN011

Nissan 350Z / Infiniti G35 Coupe '03~

Engine Type: VQ35DE

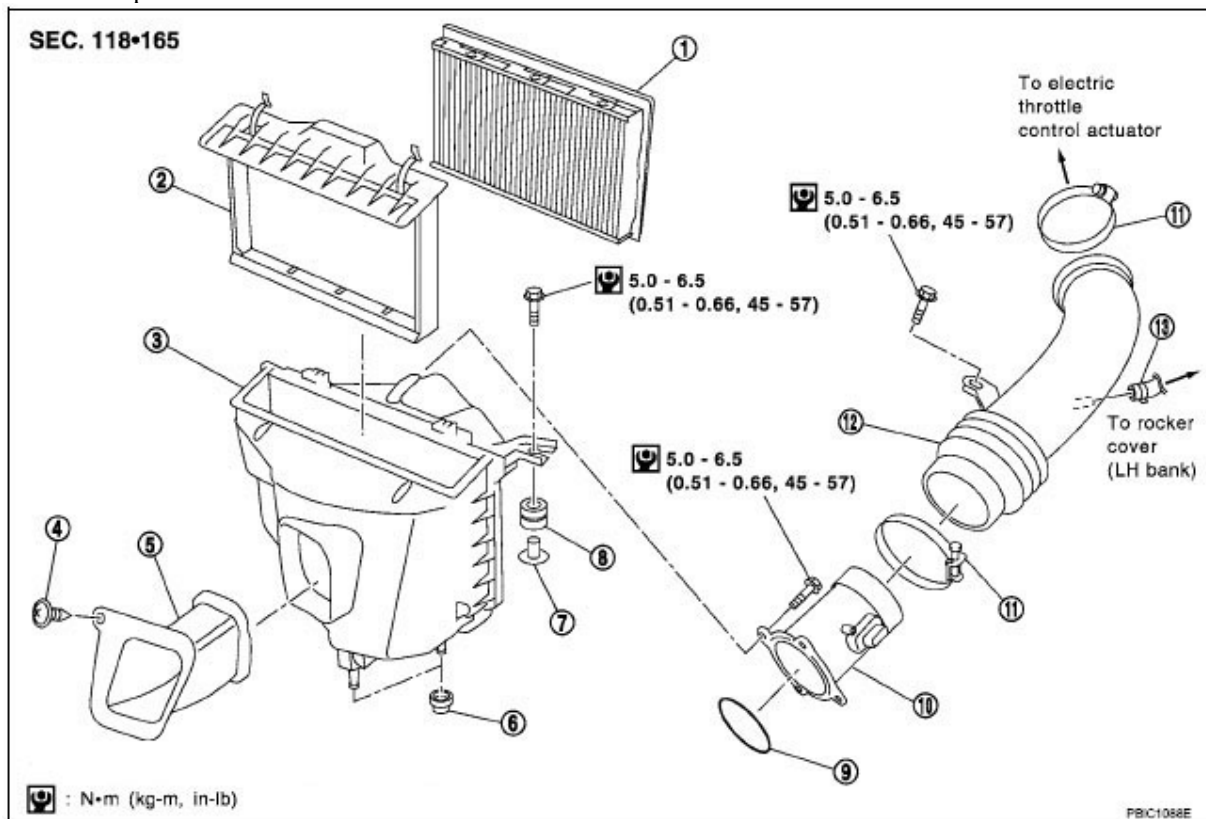
Ver. 062206

### NOTICE

This manual assumes that you have and know how to use the tools and equipment necessary to safely perform service operations on your vehicle. This manual assumes that you are familiar with typical automotive systems and basic service and repair procedures. Do not attempt to carry out the operations shown in this manual unless these assumptions are correct. Always have access to a factory repair manual. To avoid injury, follow the safety precautions contained in the factory repair manual.

### 1. Removal of Stock Parts

Remove the parts in accordance with the service manual.

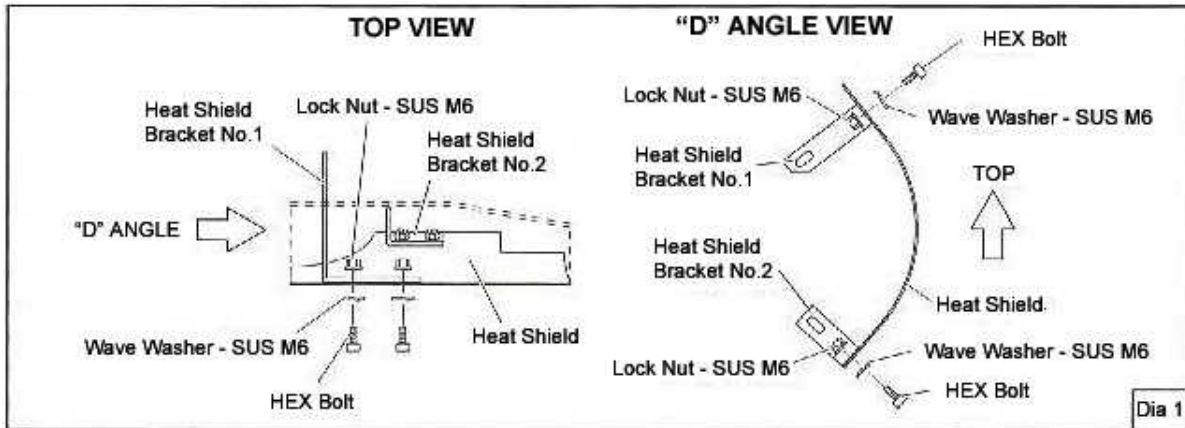


- 1) Disconnect the negative terminal from the battery.
- 2) Unplug Electrical Harness from Air Meter Assembly (Part #10)
- 3) Remove Intake Air Duct and save for later use. (Part # 4 & 5)
- 4) Remove Air Cleaner Assembly (Assembly consists of Part #1, 2, 3, 6, 7, 8, 9 & 10).
- 5) Unbolt Air Flow Meter and O-Ring Gasket (Part #9 & 10) from Air Cleaner Housing (Part #3) and retain for later use on HKS Racing Suction Kit
- 6) Disconnect Spring Clamp and Air Bypass Hose (Part #13) from Air Intake Pipe (Part #12) and retain for later use on HKS Racing Suction Kit
- 7) Remove Air Intake Pipe and Hose Clamps (Part #11 & 12)

## 2. Installation of Racing Suction Intake Kit

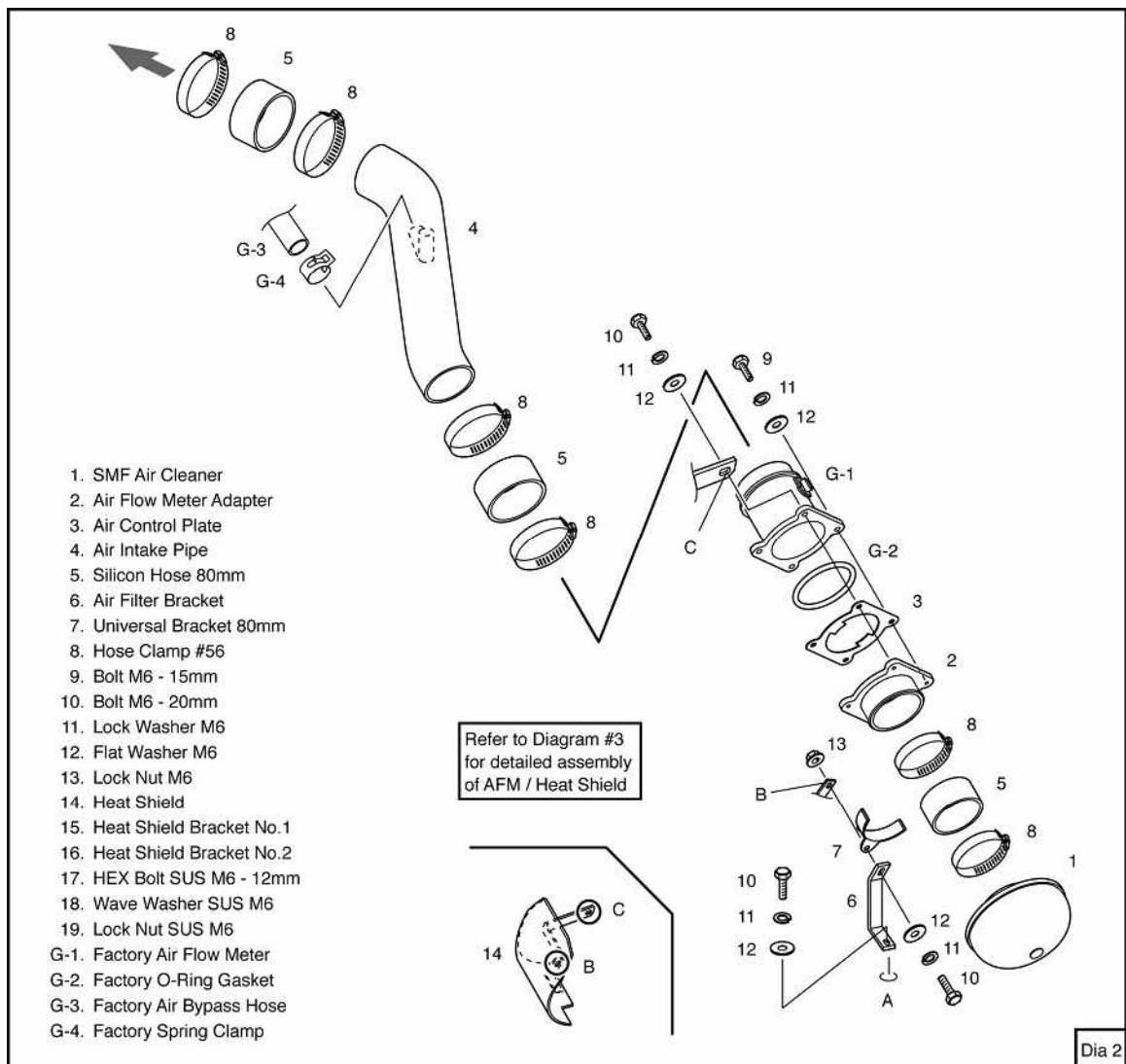
Install the parts in accordance with diagrams below.

Heat Shield Assembly-

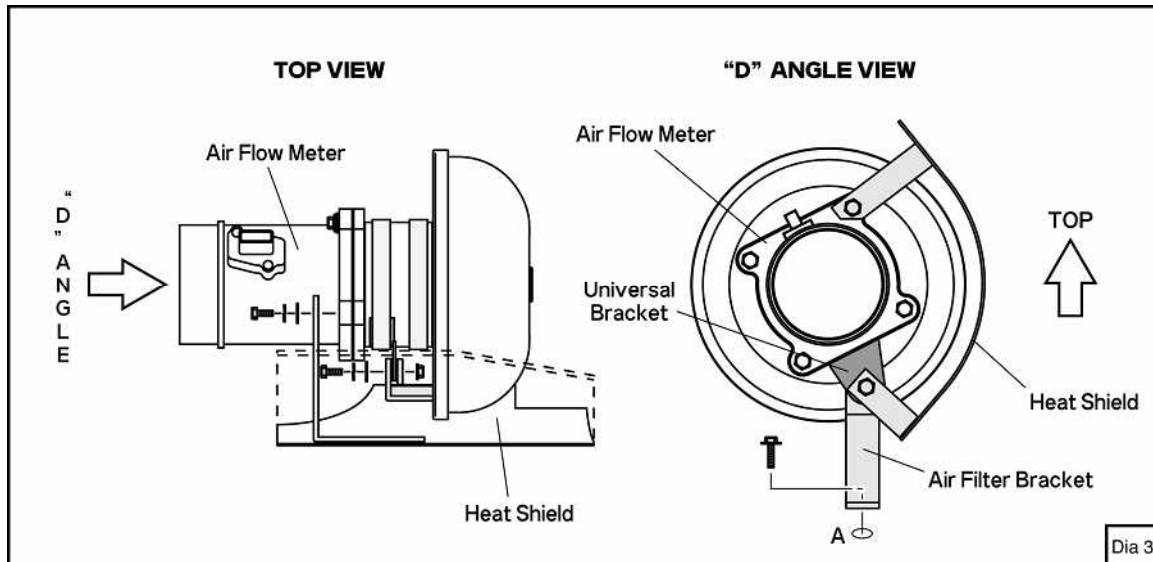


- 1) Assemble heat shield assembly as shown in diagram 1 above. Note the positioning of both heat shield brackets in relation to heat shield. (Parts Used: #14, 15, 16, 17, 18 & 19)

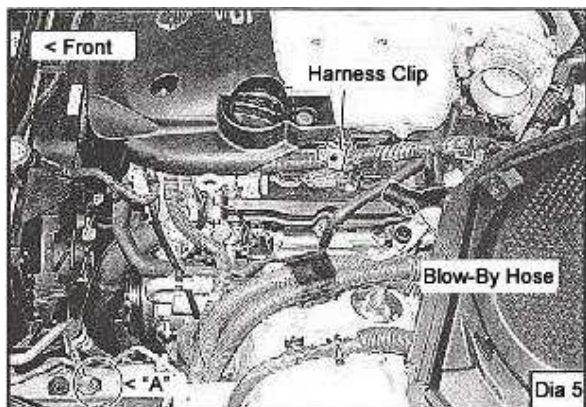
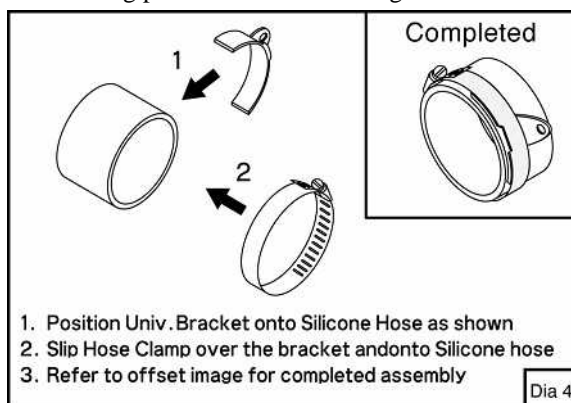
Complete Racing Suction Kit Assembly-



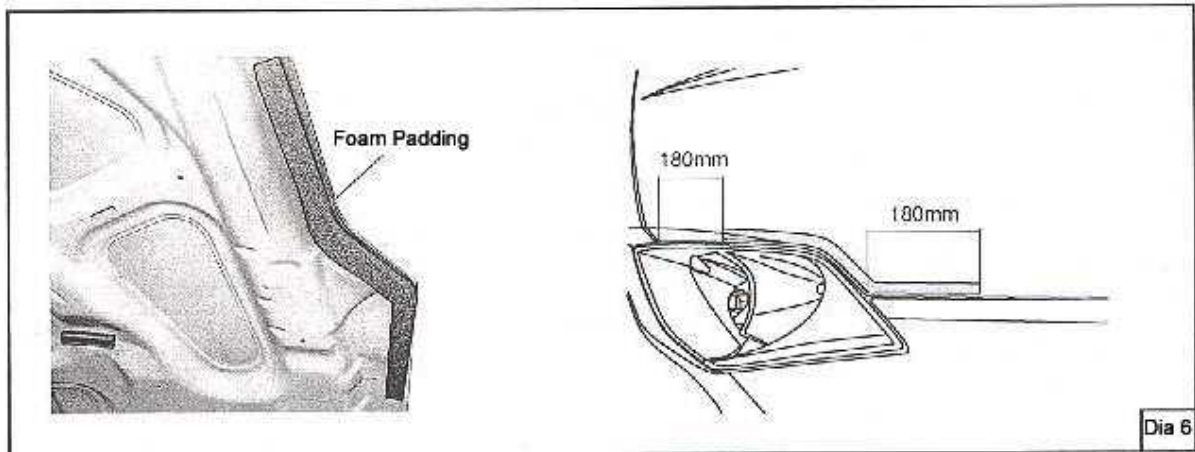
- 2) Connect factory Air Bypass Hose (G-3) to HKS Air Intake Pipe (4) and secure with factory Spring Clamp (G-4).
- 3) Attach HKS Air Intake Pipe (4) to engine throttle body with a Silicon Hose coupler (5) and secure with two Hose Clamps (8) as shown in Diagram 2 above.
- 4) Assemble Factory Air Flow Meter (G-1), O-Ring Gasket (G-2), HKS Air Control Plate (3) and HKS AFM Adapter (2) as shown in Diagram 2 above. Note position of Air Control Plate in relation to AFM Adapter and Air Flow Meter. The internal tabs of the Air Control Plate must be to the left and right side of the Air Flow Meter sensor.
- 5) Secure the above assembly using Bolts M6 – 15mm (9), Lock Washers M6 (11) and Flat Washers (12) only at the 3 respective corners as shown in Diagram 2 & 3; Saving the fourth corner for mounting point C of the Heat Shield.



- 6) Assemble Silicone Hose coupler (5), Universal Bracket (7) and Hose Clamp (8) as shown in Diagram 4 below and then attach the SMF Air Cleaner to Air Flow Meter assembly as shown in Diagram 3 above.
- 7) Attach Air Filter Bracket and Head Shield to above assembly as shown in Diagram 3.
  - a. Air Filter Bracket (6), Universal Bracket (7) & Heat Shield mounting point "B" should be secured with Bolt M6 – 20mm (10), Lock Washer M6 (11), Flat Washer (12) and Lock Nut M6 Black (13)
  - b. Heat Shield mounting point "C" should be secured to Air Flow Meter Assembly with Bolt M6 – 20mm (10), Lock Washer M6 (11) and Flat Washer (12).
- 8) Using Bolt M6 – 20mm (10), Lock Washer M6 (11) and Flat Washer (12), mount Air Filter Bracket to mounting point "A" shown in Diagram 5 below.



- 9) Connect Air Flow Meter Assembly to HKS Air Intake Pipe using Silicon Hose coupler (5) and Hose Clamps (8) as shown in Diagram 2.
- 10) Re-Install factory Intake Air Duct from Section 1 – Removal of Stock Parts. (Part #4 & 5)
- 11) Plug in Electrical Harness to Air Flow Meter assembly
- 12) Affix Foam Padding (21) to under side of hood trim as shown in Diagram 6 below.
- 13) Recheck to assure that all bolts, hoses, hose clamps and brackets are secure.
- 14) Reconnect negative terminal to the battery. (Reset radio, clock, etc.)



15) Completed assembly should look as image below.



16) Start engine and warm up to normal operating temperature, rev engine a few times to check that there is no contact from surrounding parts.

**PARTS LIST**

No.	Description	Qty	Notes	No.	Description	Qty	Notes
1	SMF Air Cleaner	1	200/80	12	Flat Washer – M6	6	
2	Air Flow Meter Adapter	1		13	Lock Nut – M6	1	Black
3	Air Control Plate	1		14	Heat Shield	1	
4	Air Intake Pipe	1		15	Heat Shield Bracket No.1	1	
5	Silicone Hose 80mm	3	L=55	16	Heat Shield Bracket No.2	1	
6	Air Filter Bracket	1		17	HEX Bolt SUS M6 - 12	4	
7	Universal Bracket	1	80mm	18	Wave Washer SUS M6	4	
8	Hose Clamp #56	1		19	Lock Washer SUS M6	4	
9	Bolt M6 – 15mm	3		20	Zip Tie	5	150mm
10	Bolt M6 – 20mm	3		21	Foam Padding	2	
11	Lock Washer – M6	6		22	Decal	1	