

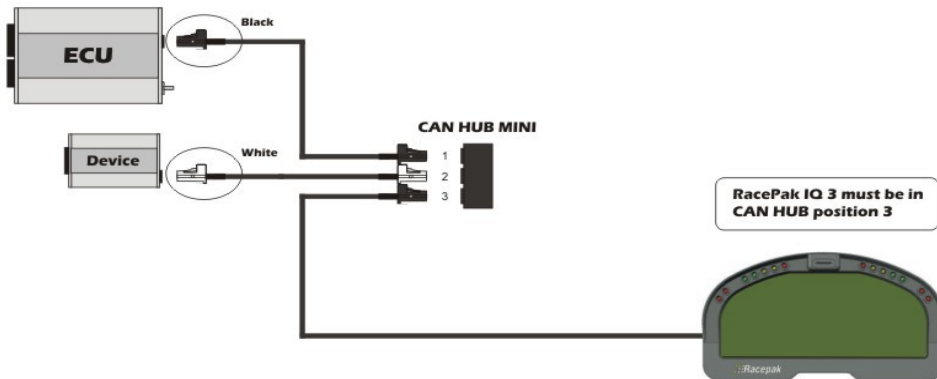
## CAN Hub Mini Configurations with RacePak IQ-3 Dash

The RacePak IQ-3 must be in the last position occupied on the CAN Hub Mini, that is furthest away from the ECU.



*ECU with RacePak IQ-3 ( No CAN Hub Mini Required)*

# *PLATINUM series* **Haltech CAN Hub Mini** *(HT059991)* **QUICK START GUIDE**



*ECU with 2 Devices (inc RacePak IQ-3)*



# Haltech CAN Hub Mini Quick Start Guide

Congratulations on purchasing a Haltech Engine Management CAN Hub Mini. This *Plug and Play* product allows you to expand the functionality of your ECU by allowing the connection of other Haltech CAN based expansion devices.

This quick start guide will walk you through installation of the Haltech CAN Hub Mini into a vehicle. This guide is accompanied by the full service manual located on the software CD provided with the ECU that you or your tuner will need to refer to before completing your installation and configuration. The manual can also be downloaded from the Haltech website [www.haltech.com](http://www.haltech.com)

## Included in Haltech CAN Hub Mini Kit

- Haltech CAN Hub Mini
- Haltech CAN Cable White (1 x 300mm)
- Quick start guide

## The Haltech CAN Network

The Haltech CAN network allows for simple and effective expansion in ECU capability and functionality without having to go to the trouble of wiring in a whole new computer.

Expansion is made possible by the addition of multiple expansion devices that communicate to the main ECU via a Control Area Network (CAN).

Installation time and costs are kept to a minimum as all expansion devices are powered up from the main ECU via the pre-terminated connection cable that comes with each expansion device.

Each expansion device is pre-programmed with a unique ID code which allows it to be recognised on the network and work correctly first time every time.

For current available expansion devices please go to our website at [www.haltech.com](http://www.haltech.com)

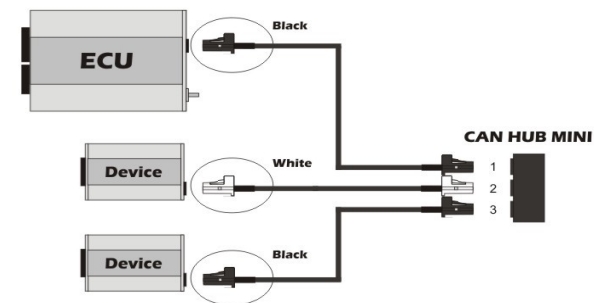
## Connection Rules of the Haltech CAN Hub Mini

- The Haltech ECU **must** be in position 1 of the CAN Hub Mini.
- If only one device is connected, a Black / Black cable is required.
- The RacePak IQ-3 must be in the last position occupied on the CAN Hub Mini that is furthest away from the ECU.
- The first and last positions occupied on the CAN Hub Mini **must** be terminated. This is indicated by the use of a Black / Black cable. All other devices **must not** be terminated, indicated by the use of a White / White cable.
- Positions on the CAN bus must be used in sequential order, (ie 1-2-3) Any break in the position order will break the network.
- The total current limit on the ECU is 1A. Excessive current draw will reset the ECU's internal fuse.

## CAN Hub Mini Configurations

The following diagrams show the correct wiring of the Mini Hub to expansion devices in multiple

**Please take note of the CAN cable connector colours and their position on the CAN BUS.**



**ECU with 2 Devices**