



INFINITI.

# GENUINE PARTS

## INSTALLATION INSTRUCTIONS

**DESCRIPTION:** Fog lamp finisher conversion Kit

**APPLICATION:** G Coupe, Convertible (2011)

**PART NUMBER:** B61E5 1VP00

Note: This fog lamp finisher kit is for rework 10MY Front Aero Bumper, K6020-JL01B, JL02B, JL04B, JL06B, JL07B, JU58B, 1NG5A to 11MY.

### KIT CONTENTS:

Item	Qty.	Part Description	Service Part Number
A	1 each	Fog lamp finisher (RH/LH)	---
B	2	Spring nut	---
C	2	Tapping screw	---
D	1	Installation Instruction Replacement Template	---

A



B



C



D



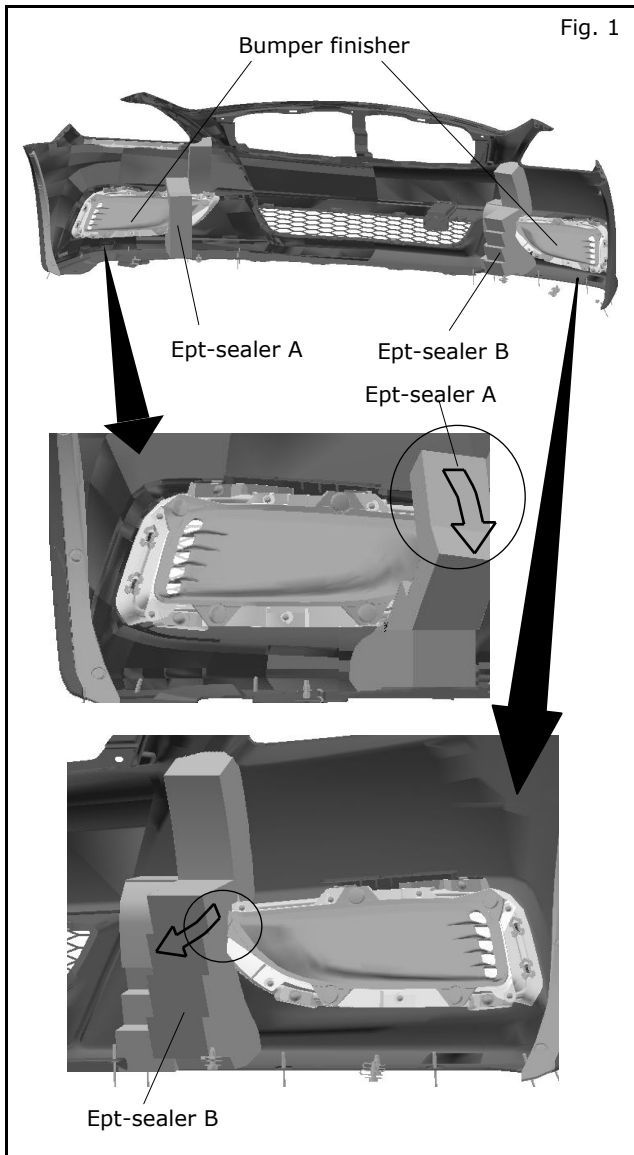
### TOOLS REQUIRED:

- Phillips Head Screwdriver

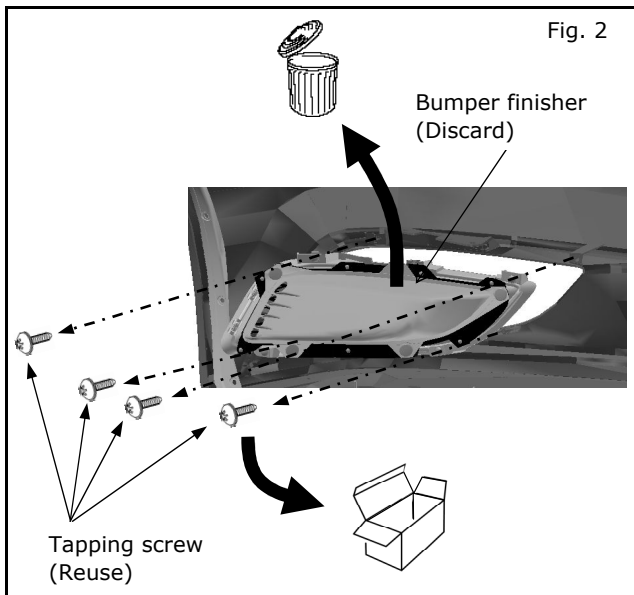
### PRE-INSTALLATION WARNINGS, CAUTIONS, CRITICAL STEPS, and NOTES:

- Dealer Installation Recommended.
- This kit applies to 11MY G coupe and Convertible with 10MY Aero Bumper.

## INSTALLATION PROCEDURE:

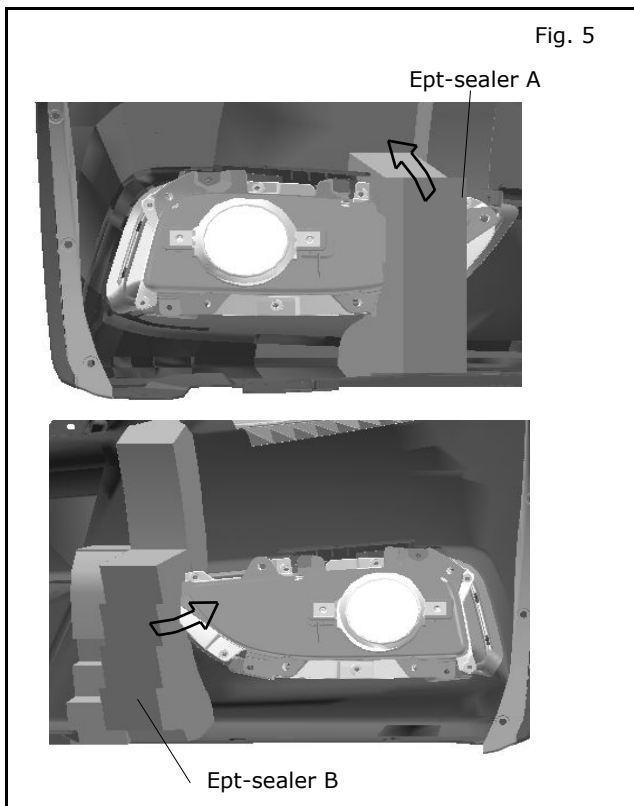
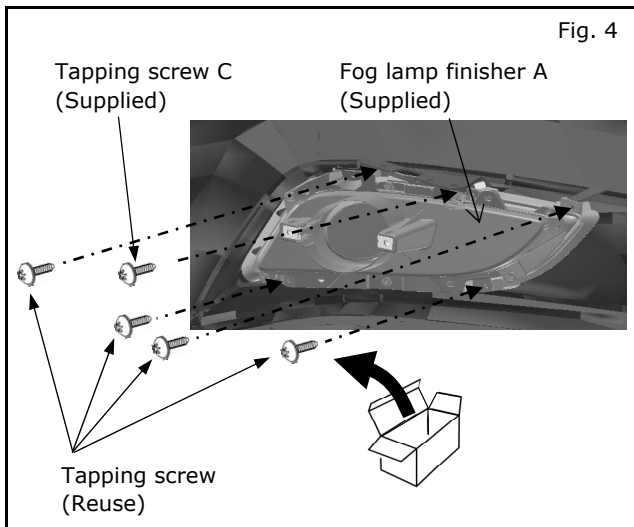
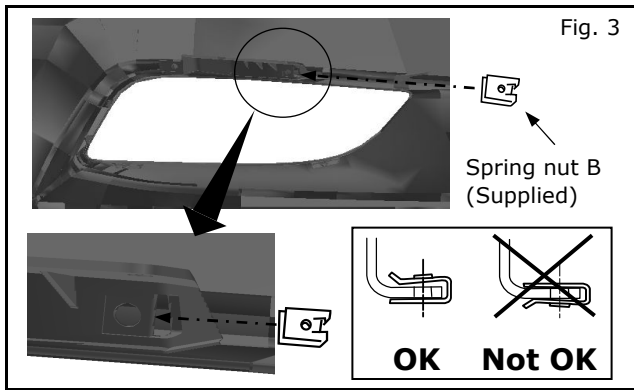


- 1) Remove the standard bumper finisher.
  - a) Peel the Ept-sealer A and Ept-sealer B. partially where shown O in the picture. See Fig.1



- b) Remove the tapping screws and keep to reuse (4 location on each side), and then remove the Bumper finisher and discard. See Fig.2
    - c) Repeat steps for right side.

**INSTALLATION PROCEDURE:**



- 2) Installation of Fog lamp finisher
  - a) Install the spring nut B (Supplied) to the front aero bumper (1 location on each side). See Fig.3
  - b) Install the Fog lamp finisher A (Supplied) to the front aero bumper with the tapping screws (reuse) and Tapping screw C (Supplied) (total 5 location on each side). See Fig.4
  - c) Repeat steps for right side.
  - d) Restick the Ept-sealer A and Ept-sealer B. See Fig.5